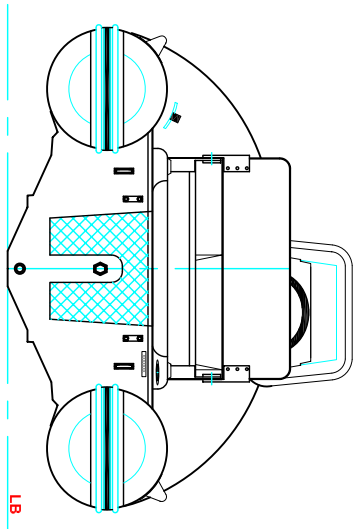
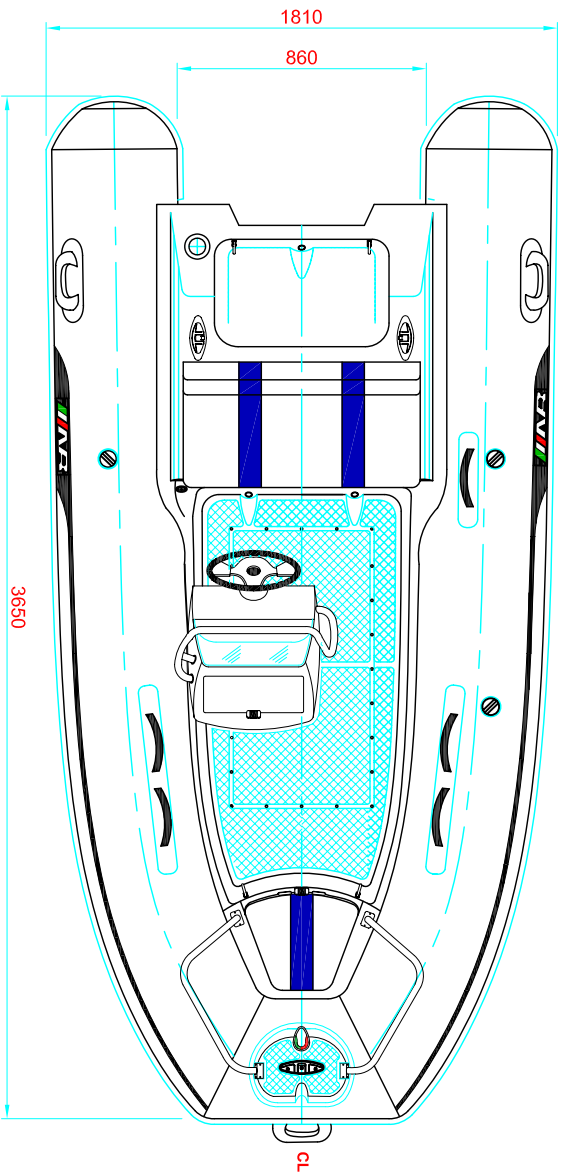


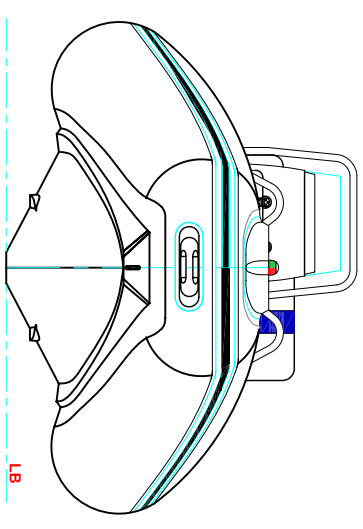
LONGITUDINAL PROFILE
PERFIL LONGITUDINAL



AFT VIEW
VISTA DE POPA



PLANT VIEW
VISTA EN PLANTA





FORE VIEW
VISTA DE PROA

MAIN PARTICULARS

MAXIMUM LENGTH/EST.ORA MAX. _____ 12'-0" (3.65 m)
 MAXIMUM BEAM/MANGA MAX. _____ 5'-10" (1.81 m)
 DEPTH/PUNTA _____ 2'-0" (0.61 m)

NOTES: 1.- ALL DIMENSIONS ARE IN MILLIMETERS EXCEPT WHERE INDICATED

SUBJECTO REVISADO OIL		SCALE 1:20		SHEET 11		CODE ARTIGI 12 VST.08.05		DATE 03/06/05		 F. LAGUNA	
TITLE "OCEANUS 12 VST"				GENERAL ARRANGEMENT				DATE 03/06/05			
REVISADO OIL		SCALE 1:20		SHEET 11		CODE ARTIGI 12 VST.08.05		DATE 03/06/05		 F. LAGUNA	