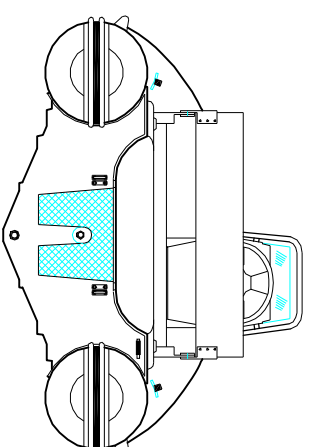
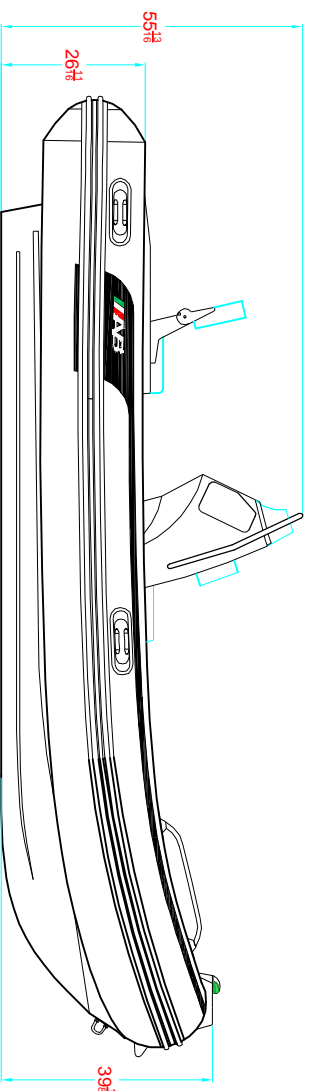


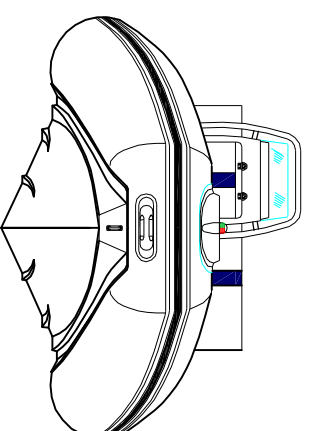
PLANT VIEW
VISTA SUPERIOR



AFT VIEW
VISTA TRASERA



LONGITUDINAL PROFILE
VISTA LATERAL



FORE VIEW
VISTA FRONTAL

MAIN PARTICULARS

MAXIMUM LENGTH/ESLORA MAX. _____ 14' 7 1/2" (4.56m)
 MAXIMUM BEAM/MANGA MAX. _____ 6' 6 1/2" (1.99m)

NOTES: 1.-ALL DIMENTIONS IN INCHES
 TODAS LAS MEDIDAS ESTAN DADAS EN PULGADAS

TITLE: "OCEANUS 15 VST "

**GENERAL ARRANGEMENT
ARREGLO GENERAL**



SUBJECTED: ALEXANDER BARRIOS
 APPROVED: HERMES GARCIA

SCALE: SHEET: 1/1 CODE: PLAN: ARTIGI. 15 VST No. REV 1

DATE 18.02.09 DRAWN HECTOR SUAREZ
 DATE APPROVED: