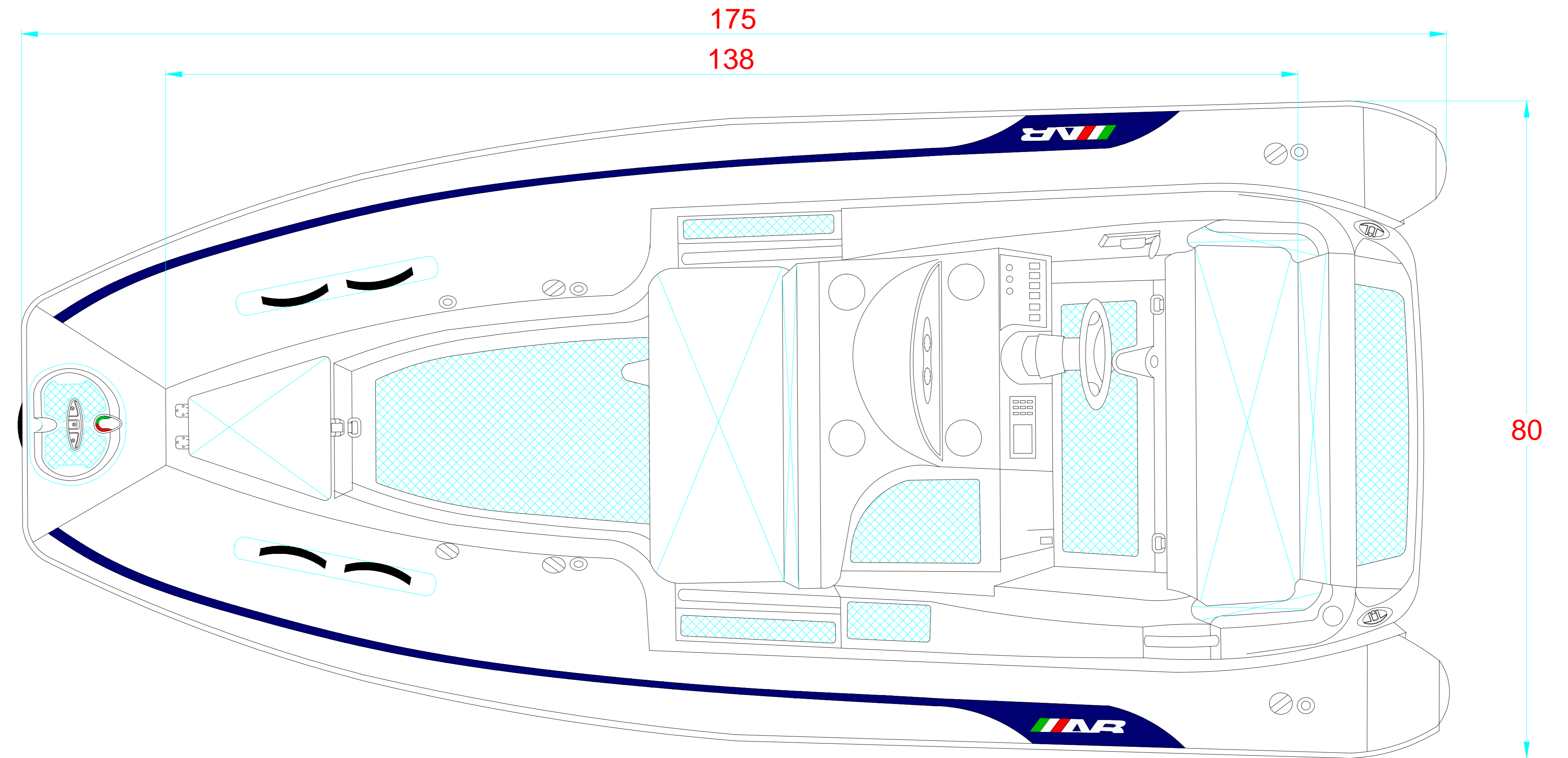
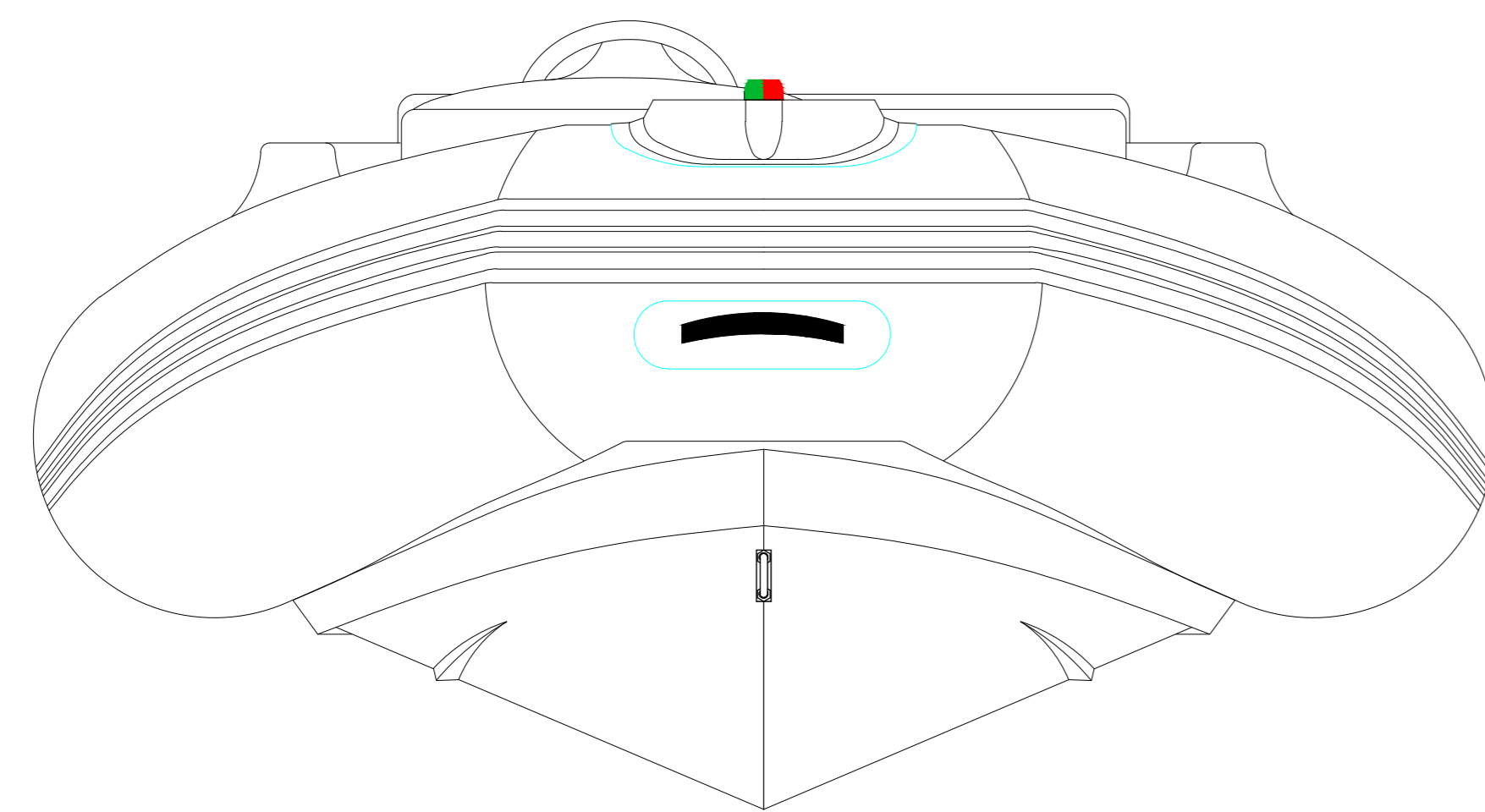


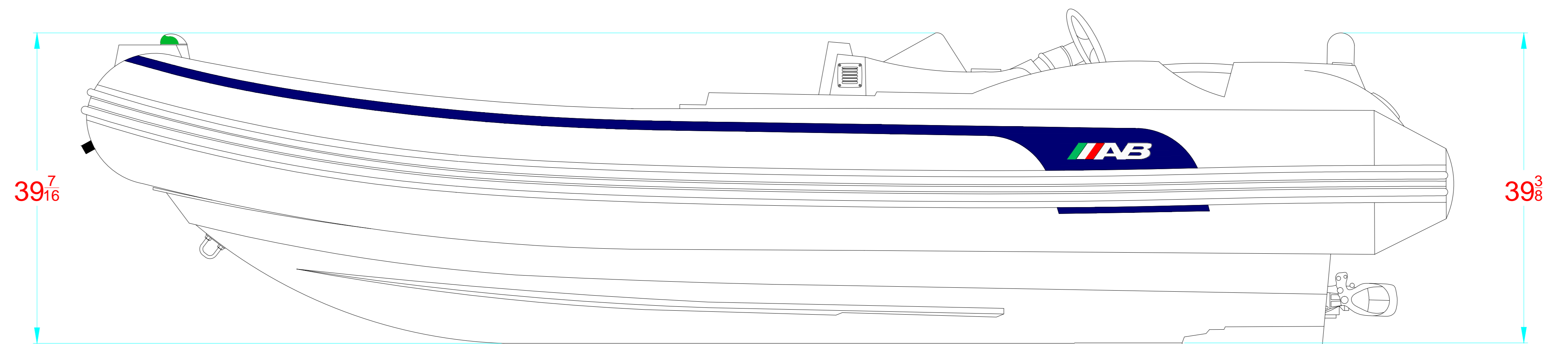
**AFT VIEW**  
**VISTA TRASERA**



**PLANT VIEW**  
**VISTA SUPERIOR**



**FORE VIEW**  
**VISTA FRONTAL**




**LONGITUDINAL PROFILE**  
**VISTA LATERAL**

**MAIN PARTICULARS**

MAXIMUM LENGHT/ESLORA MAX. \_\_\_\_\_ 14' 7" (4.44m)  
 MAXIMUM BEAM/MANGA MAX. \_\_\_\_\_ 6' 8" (2.05m)

NOTES: 1.-ALL DIMENSIONS IN INCHES  
 TODAS LAS MEDIDAS ESTAN DADAS EN PULGADAS

SUBJECTED: <b>ALEXANDER BARRIOS</b> APPROVED: <b>HERMES GARCIA</b>		TITLE: <b>"ABJET 445"</b> <b>GENERAL ARRANGEMENT</b> <b>ARREGLO GENERAL</b>				 DATE: <b>12.10.16</b> DRAWN: <b>HECTOR SUAREZ</b> DATE: _____ APPROVED: _____	
		SCALE:	SHEET: <b>1/1</b>	CODE:	PLAN:		