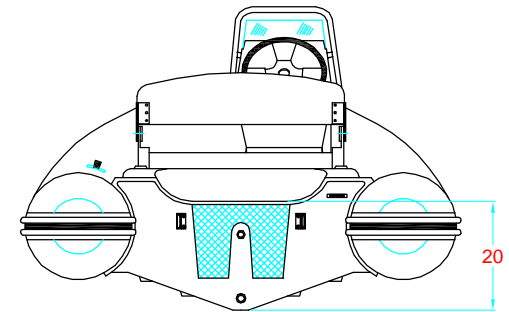
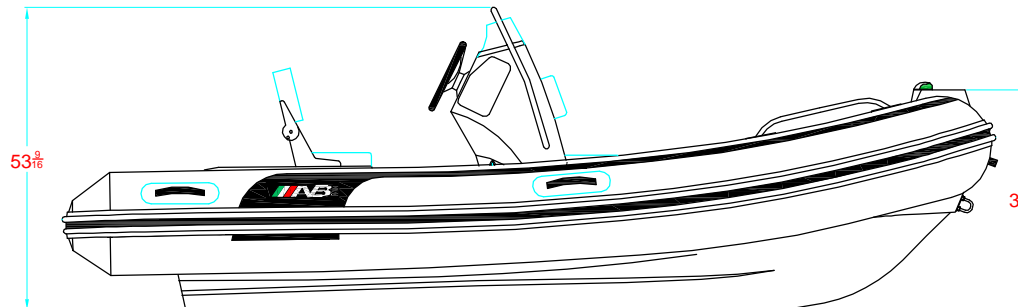


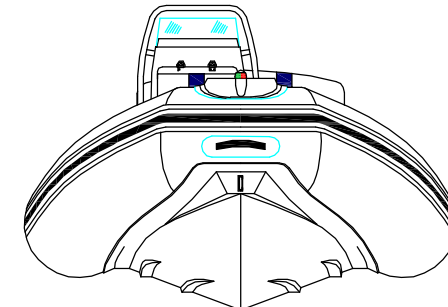
PLANT VIEW  
VISTA SUPERIOR



AFT VIEW  
VISTA TRASERA



LONGITUDINAL PROFILE  
VISTA LATERAL




FORE VIEW  
VISTA FRONTAL

MAIN PARTICULARS

MAXIMUM LENGHT/ESLORA MAX. \_\_\_\_\_ 14' (4.27m)  
 MAXIMUM BEAM/MANGA MAX. \_\_\_\_\_ 6' 5" (1.96m)

NOTES: 1.-ALL DIMENSIONS IN INCHES  
 TODAS LAS MEDIDAS ESTAN DADAS EN PULGADAS

SUBJECTED: <b>ALEXANDER BARRIOS</b>		TITLE: "OCEANUS 14 VST " <b>GENERAL ARRANGEMENT</b> <b>ARREGLO GENERAL</b>					
APPROVED: <b>HERMES GARCIA</b>							
SCALE:	SHEET: <b>1/1</b>	CODE:	PLAN: <b>ARTIGI.14 VST</b>	No.REV: <b>2</b>	DATE:	APPROVED:	