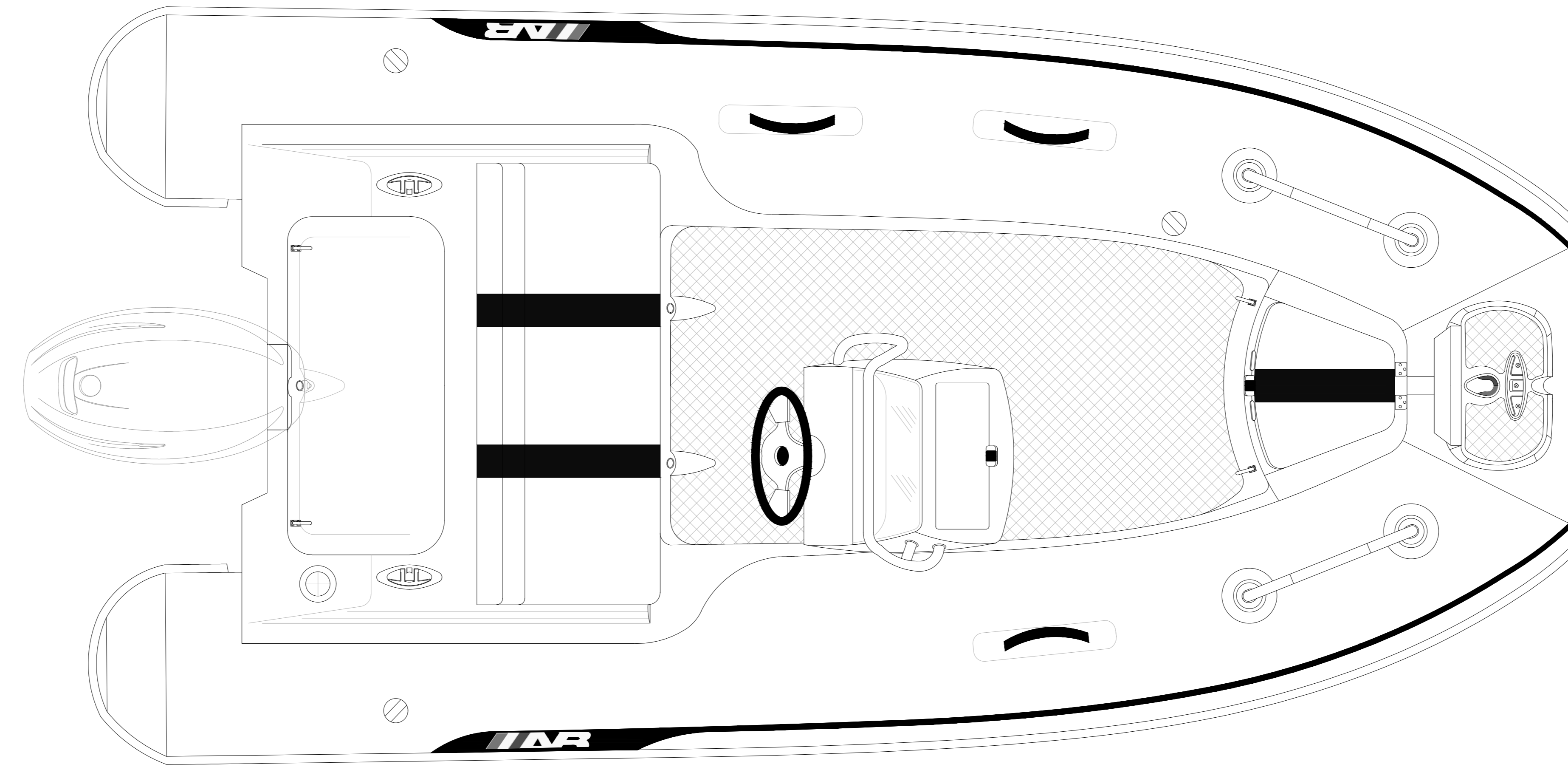
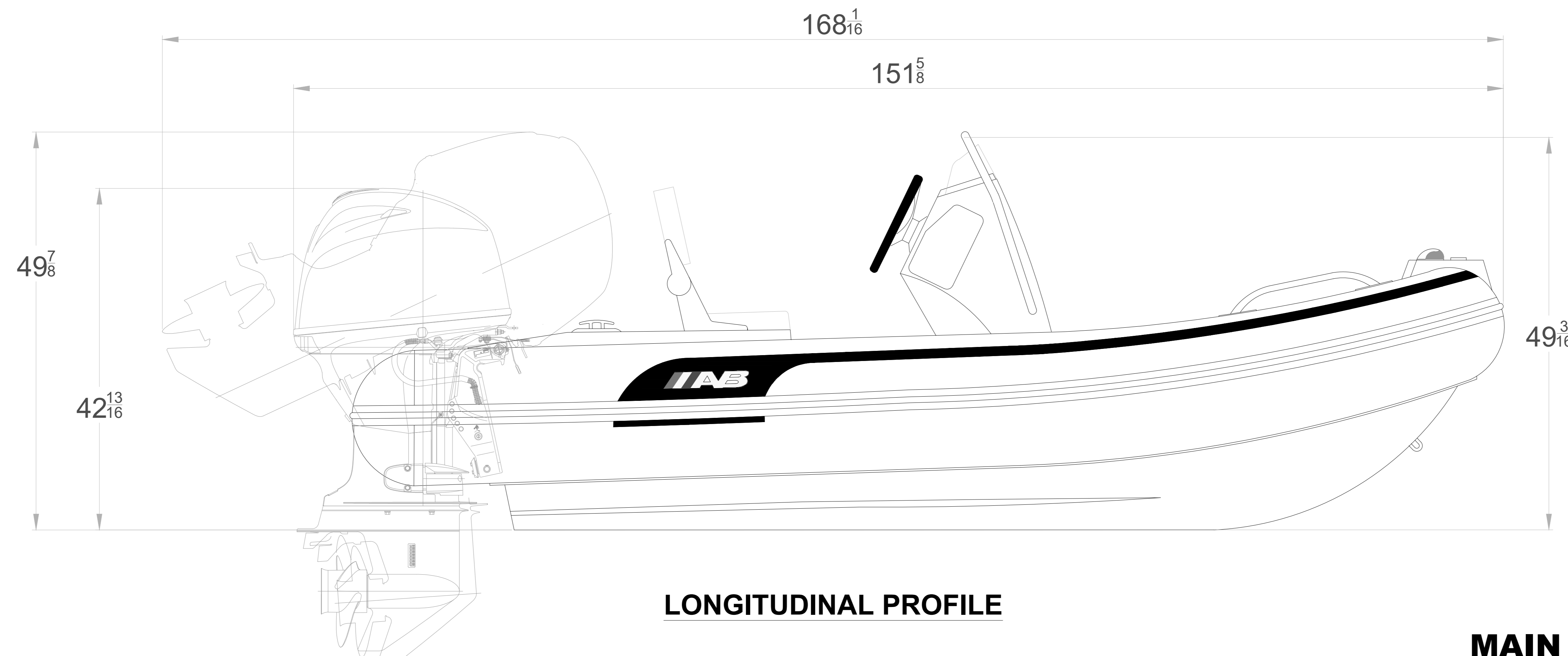


MEASUREMENTS BASED ON YAMAHA'S AVAILABLE INFORMATION AND STANDARD HEIGHT OF INSTALLATION. VERIFICATION IS ADVISED



PLANT VIEW



LONGITUDINAL PROFILE

MAIN PARTICULARS

MAXIMUM LENGHT/ESLORA MAX. _____ 12' (3.66m)
 MAXIMUM BEAM/MANGA MAX. _____ 6' 1" (1.86m)

NOTES: 1.-ALL DIMENSIONS IN INCHES



SUBJECTED: JAVIER NORIEGA		TITLE: "OCEANUS 12 VST - YAMAHA 50 HP"				DATE: 30.11.21		DRAWN: HECTOR SUAREZ	
APPROVED: HERMES GARCIA		GENERAL ARRANGEMENT				DATE		APPROVED:	
SCALE:	SHEET: 1/1	CODE:	PLAN:	No.REV 1					