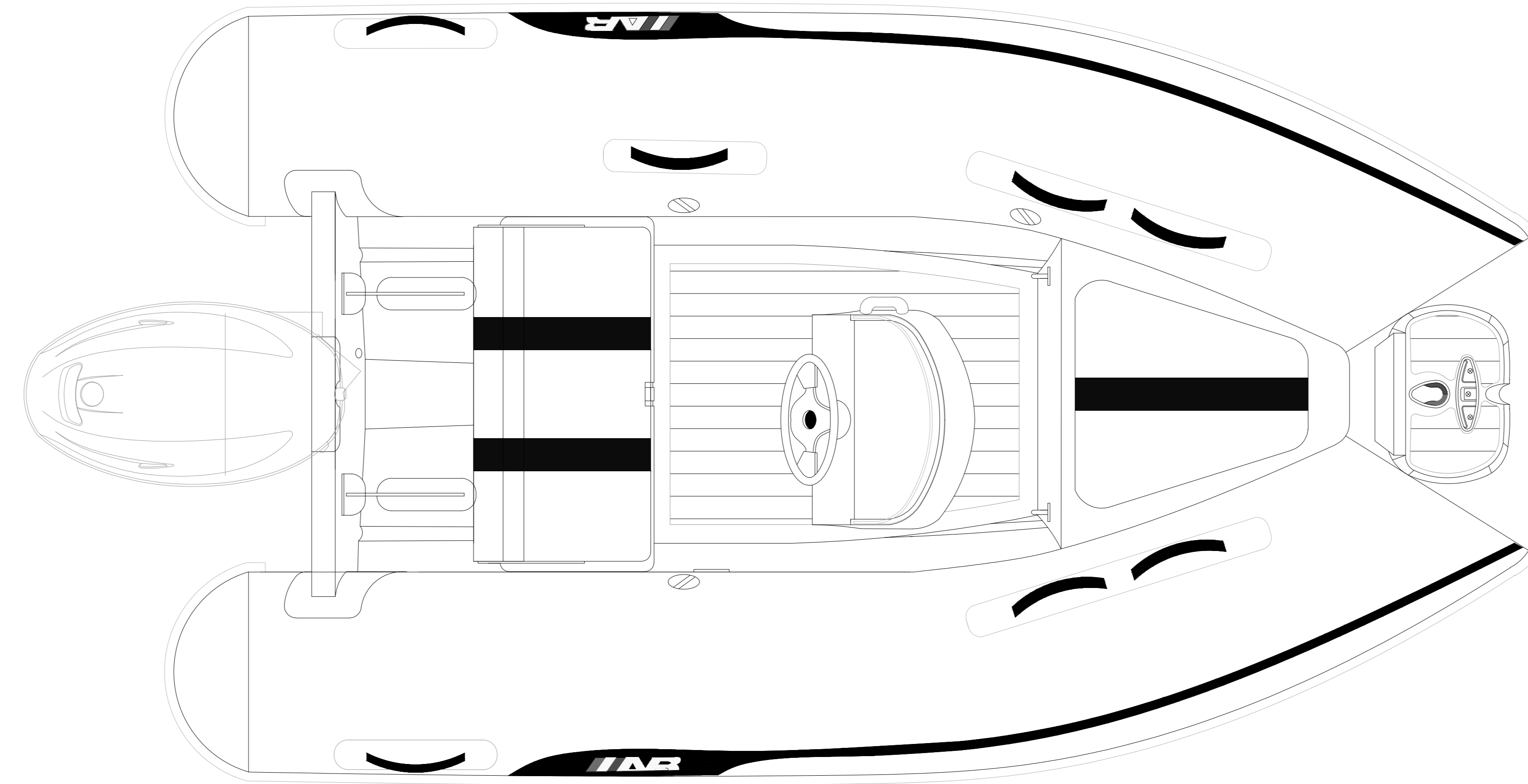
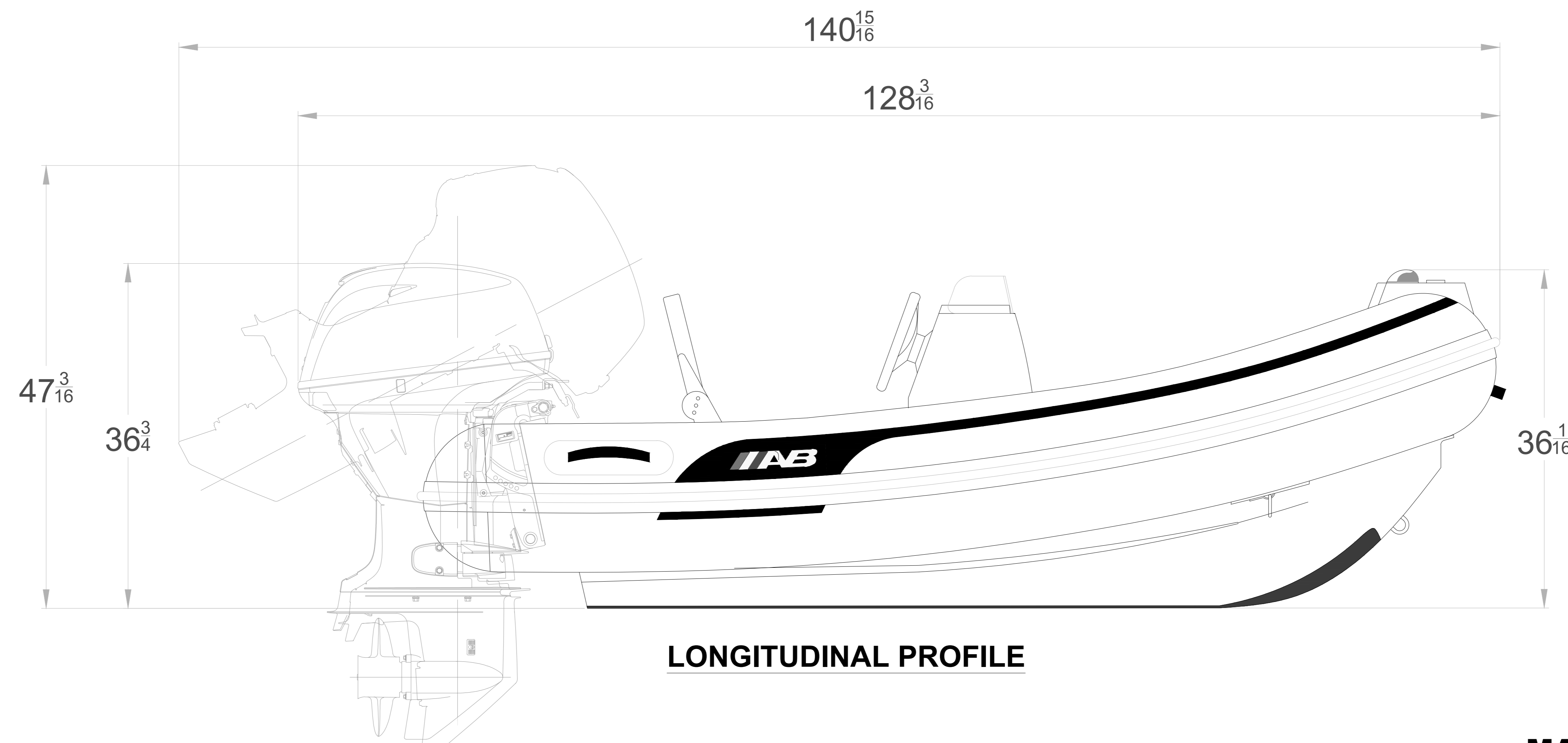


MEASUREMENTS BASED ON YAMAHA'S AVAILABLE INFORMATION AND STANDARD HEIGHT OF INSTALLATION. VERIFICATION IS ADVISED



**PLANT VIEW**




**LONGITUDINAL PROFILE**

**MAIN PARTICULARS**

MAXIMUM LENGHT/ESLORA MAX. \_\_\_\_\_ 9' 6" (2.90m)  
 MAXIMUM BEAM/MANGA MAX. \_\_\_\_\_ 5' 6" (1.68m)

**NOTES:** 1.-ALL DIMENSIONS IN INCHES

SUBJECTED: JAVIER NORIEGA APPROVED: HERMES GARCIA		TITLE: "ALUMINA 9.5 ALX - YAMAHA 25 HP"  <b>GENERAL ARRANGEMENT</b>				 DATE 02.12.21 DRAWN HECTOR SUAREZ	
		SCALE.	SHEET: 1/1	CODE:	PLAN:		