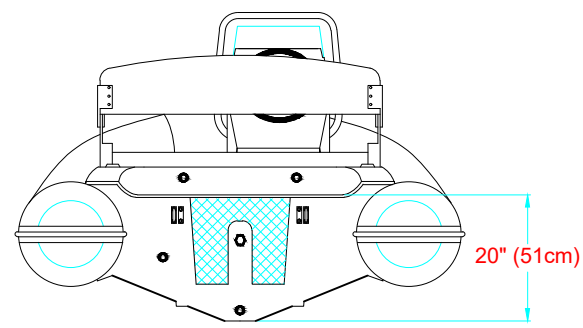
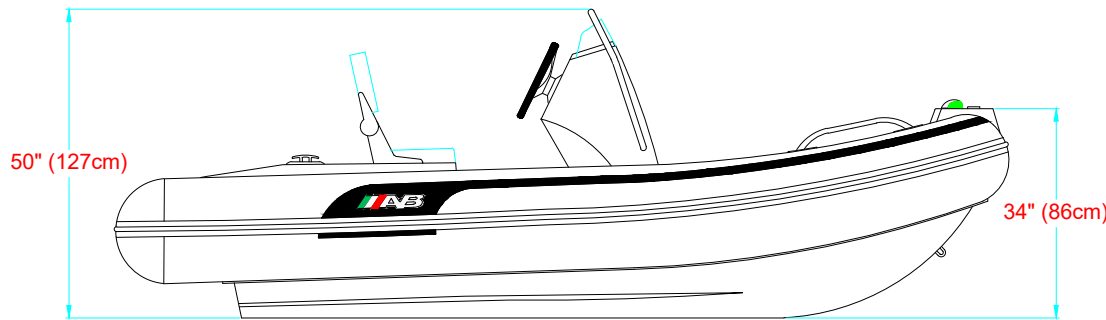


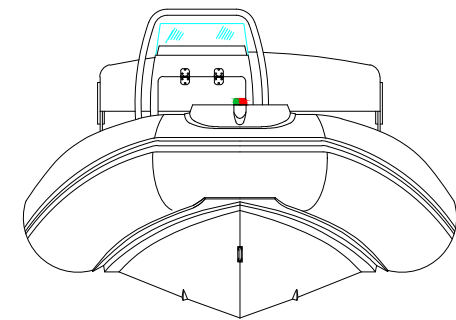
**PLANT VIEW  
VISTA SUPERIOR**



**AFT VIEW  
VISTA TRASERA**



**LONGITUDINAL PROFILE  
VISTA LATERAL**




**FORE VIEW  
VISTA FRONTAL**

**MAIN PARTICULARS**

MAXIMUM LENGHT/ESLORA MAX. \_\_\_\_\_ 12' (3.66m)  
 MAXIMUM BEAM/MANGA MAX. \_\_\_\_\_ 6' 1" (1.86m)

**NOTES:** 1.-ALL DIMENSIONS IN INCHES & CENTIMETERS  
 TODAS LAS MEDIDAS ESTAN DADAS EN PULGADAS Y CENTIMETROS

		TITLE: "OCEANUS 12 VST " <b>GENERAL ARRANGEMENT</b> <b>ARREGLO GENERAL</b>					
SUBJECTED: <b>JAIRO MARTINEZ</b>		SCALE:	SHEET: <b>1/1</b>	CODE:	PLAN:		
APPROVED: <b>HERMES GARCIA</b>							DATE APPROVED: