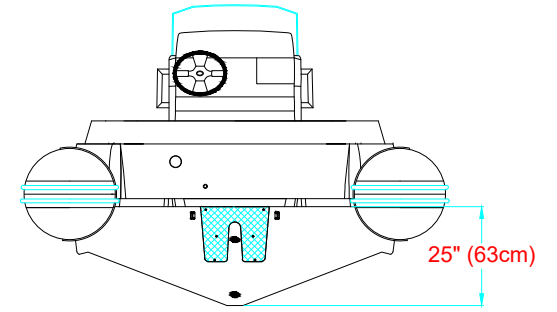
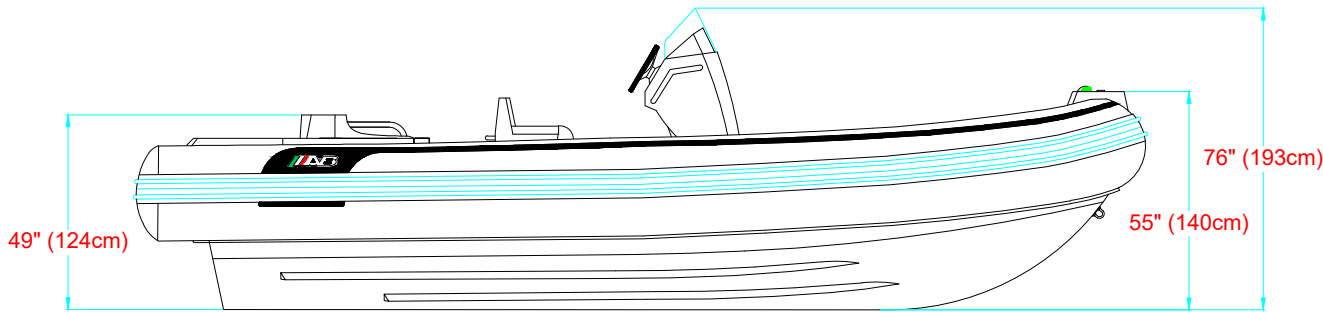


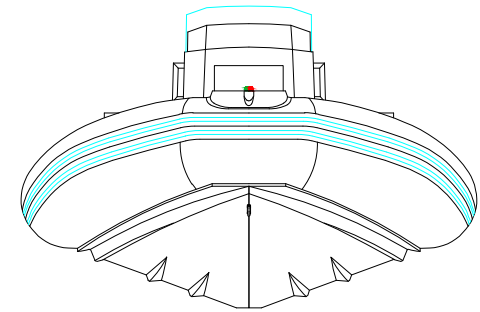
PLANT VIEW
VISTA SUPERIOR



AFT VIEW
VISTA TRASERA



LONGITUDINAL PROFILE
VISTA LATERAL




FORE VIEW
VISTA FRONTAL

MAIN PARTICULARS

MAXIMUM LENGHT/ESLORA MAX. _____ 21' 4" (6.50m)

MAXIMUM BEAM/MANGA MAX. _____ 8' 10" (2.69m)

NOTES: 1.-ALL DIMENSIONS IN INCHES & CENTIMETERS
TODAS LAS MEDIDAS ESTAN DADAS EN PULGADAS Y CENTIMETROS

		TITLE: " 21 VST "						
		GENERAL ARRANGEMENT ARREGLO GENERAL						
SUBJECTED:	JAIRO MARTINEZ	SCALE:	SHEET:	CODE:	PLAN:	No.REV	DATE	DRAWN
APPROVED:	HERMES GARCIA		1/1			4	09.02.24	HECTOR SUAREZ
							DATE	APPROVED: